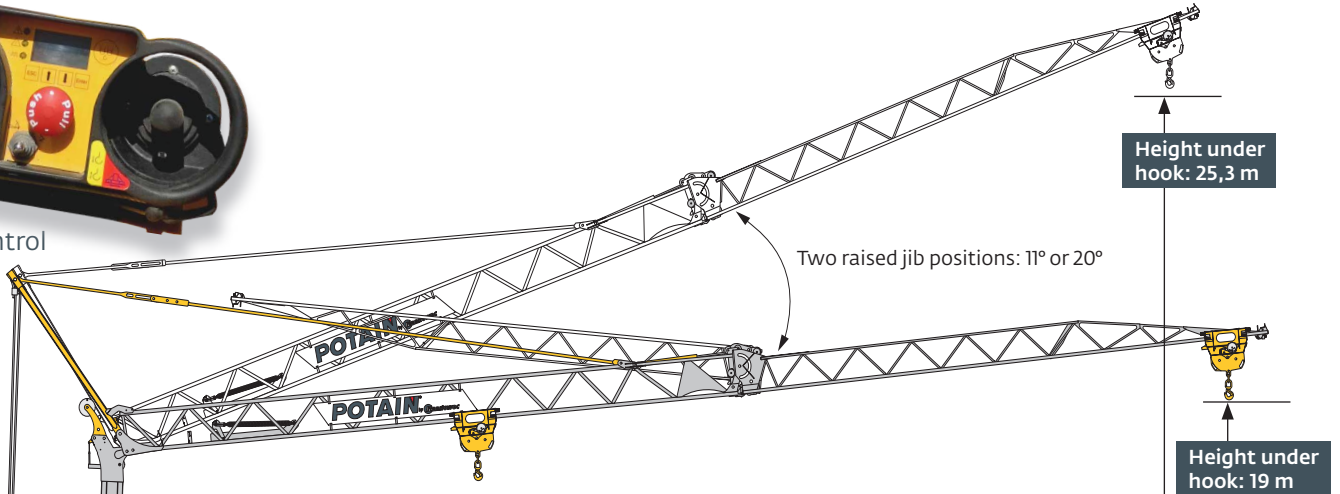


Igo M 14

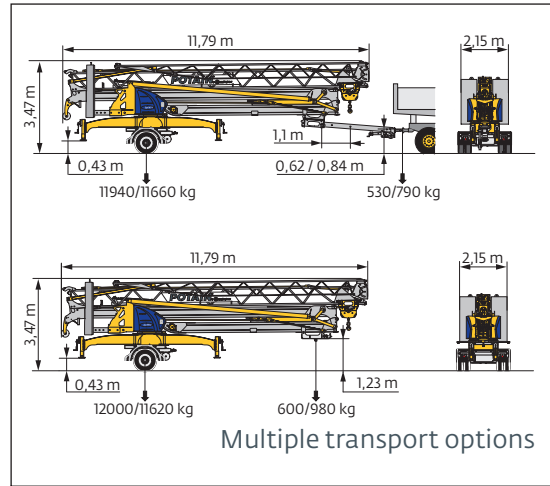
Maximum capacity: 1800 kg
 Maximum jib length: 22 m
 Maximum load at jib nose: 600 kg
 Maximum height under hook: 19 m



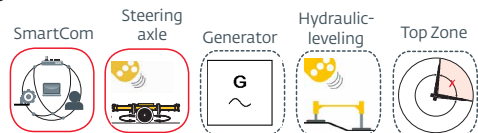
Remote control



Two slewing radii available:
2 m and 2,5 m



Steering axle +20°





Steering axle +/-20°

- Adjustable drawbar with three positions or fifth wheel



Hydraulic leveling

- Cylinder rod protected from site damage
- Fast, precise locking with screws and nuts



Embedded generator set

- Diesel and sound-proof
- Accessible at all times and detachable
- Easy to fill fuel tank



Multiple chassis leg positions

- Angle of departure greater than 20°
- Optimum ground clearance, more than 400 mm
- Site exit in both directions



Two slewing radii

- Nominal radius of 2,5 m, extra short radius 2 m

Permanent steel ballast

- 2 x 2450 kg
- Complete for all configurations in and out of service
- Easy to disassemble if needed

Remote controls

- Steering axle, hydraulic leveling, generator set

Limiting and indicating devices

- Electronic and electromechanic limiter
- Load limiting device controlled by dynamometric ring

